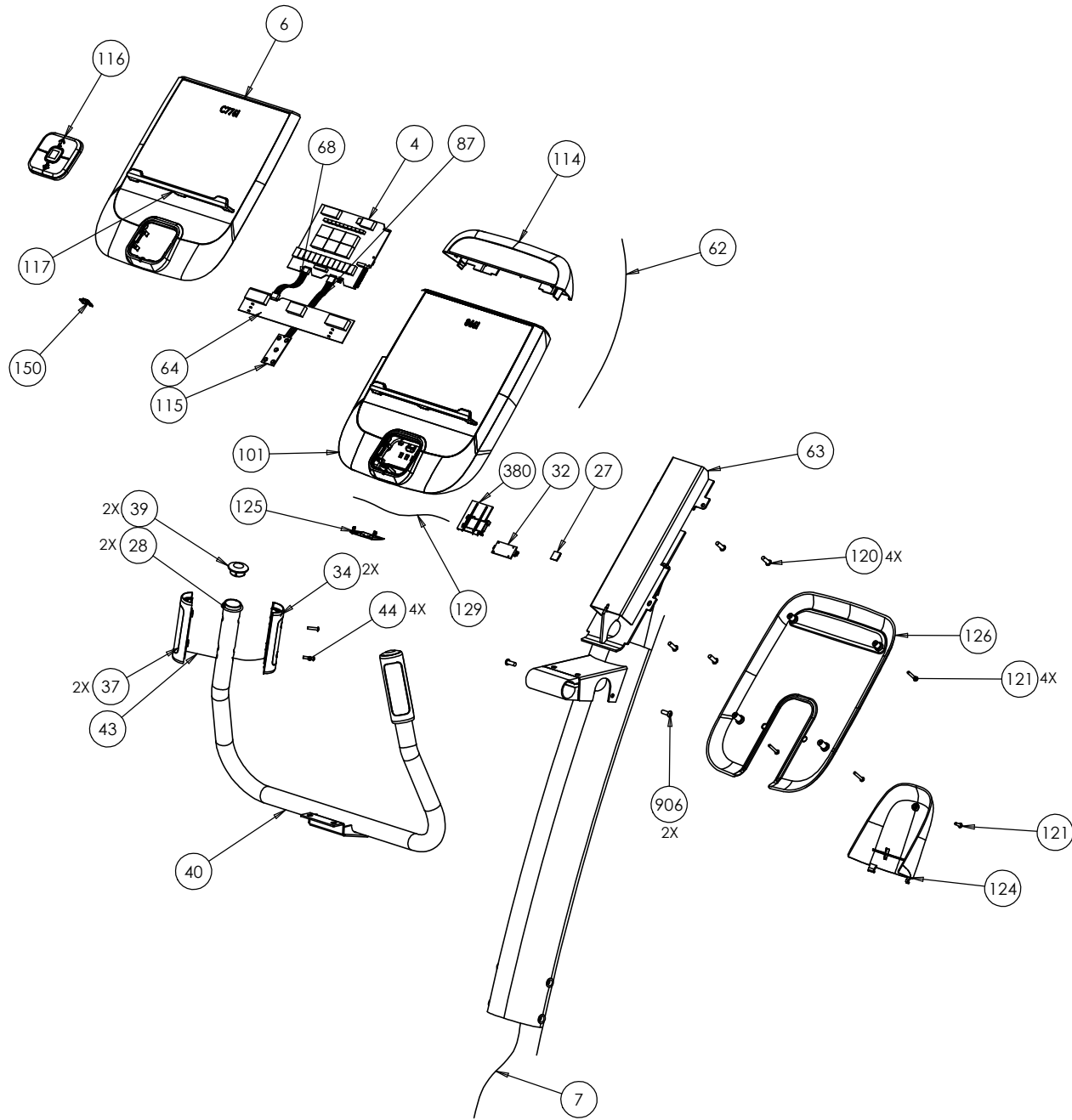
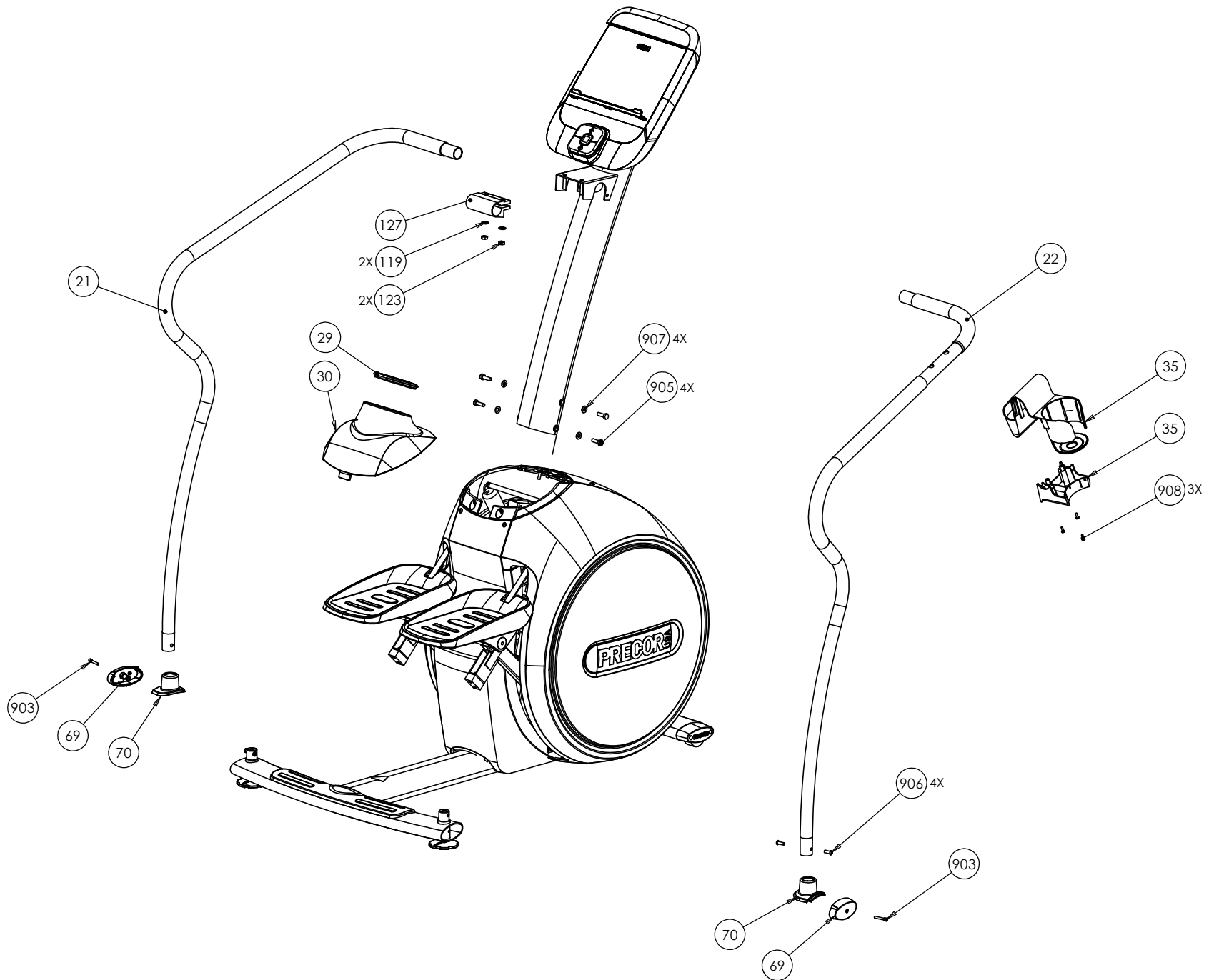
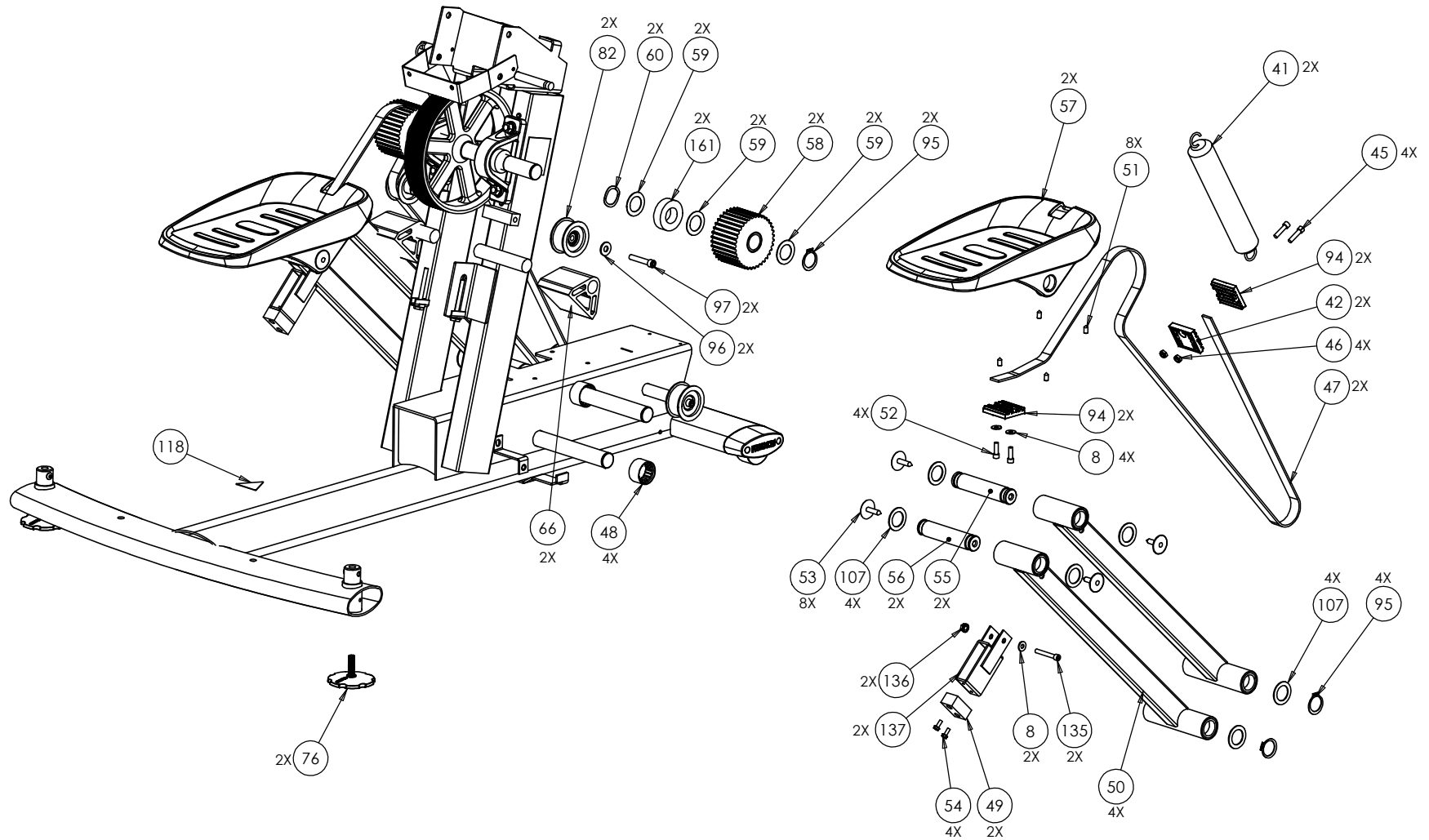
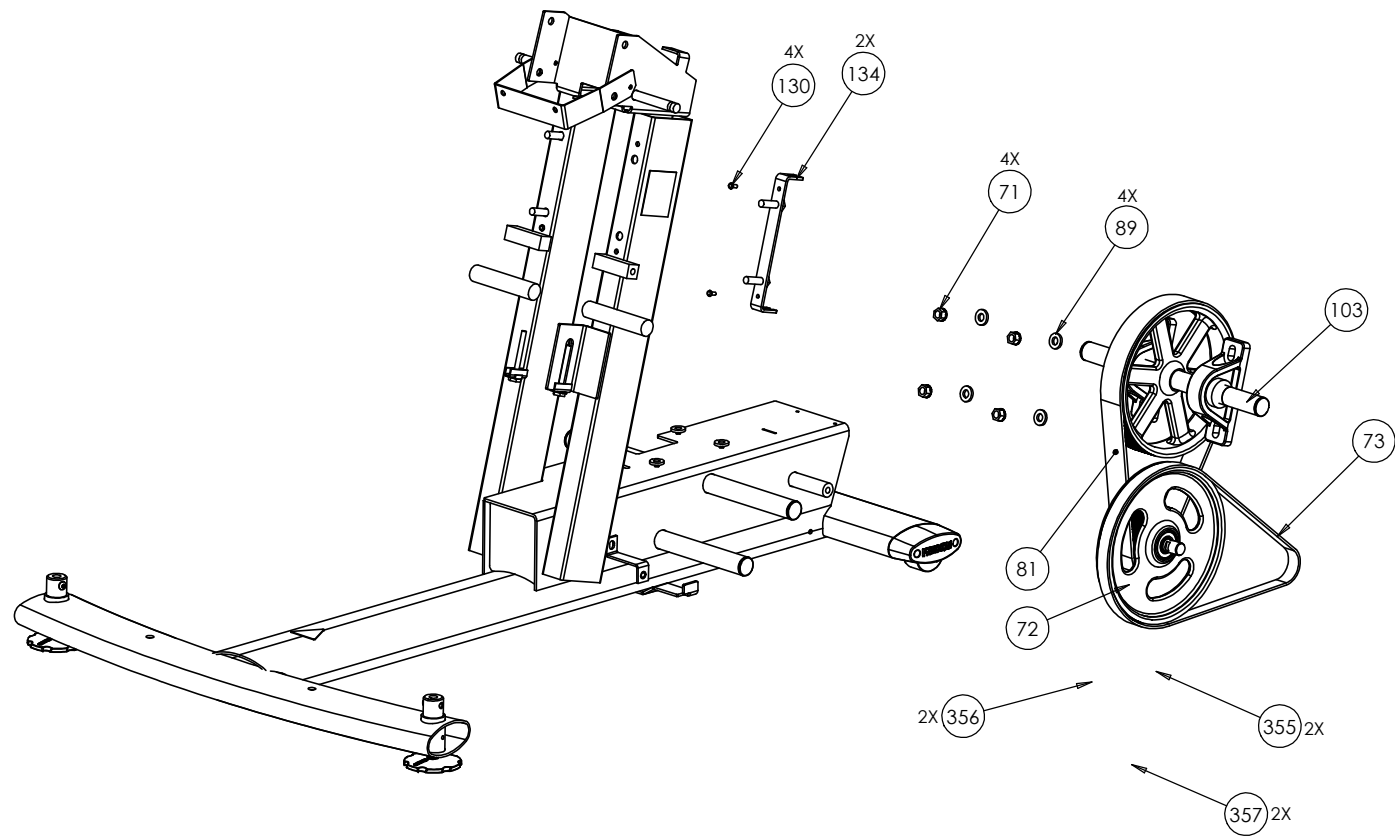


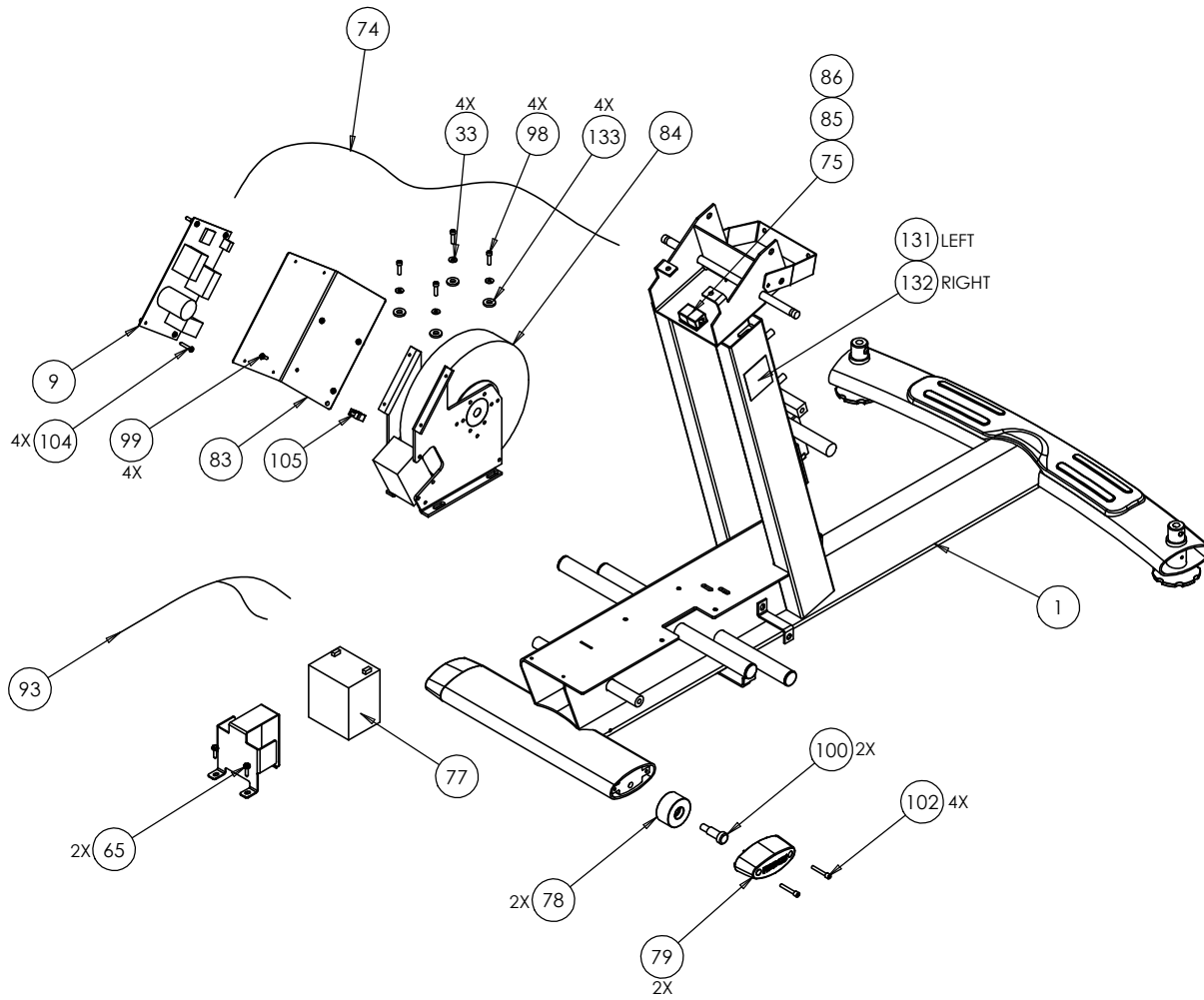
C7761	P/N : 49026-101	SUBREV : J
DRAWN BY : M. HAMILTON	DATE : 11.05.08	SHEET 1 OF 7

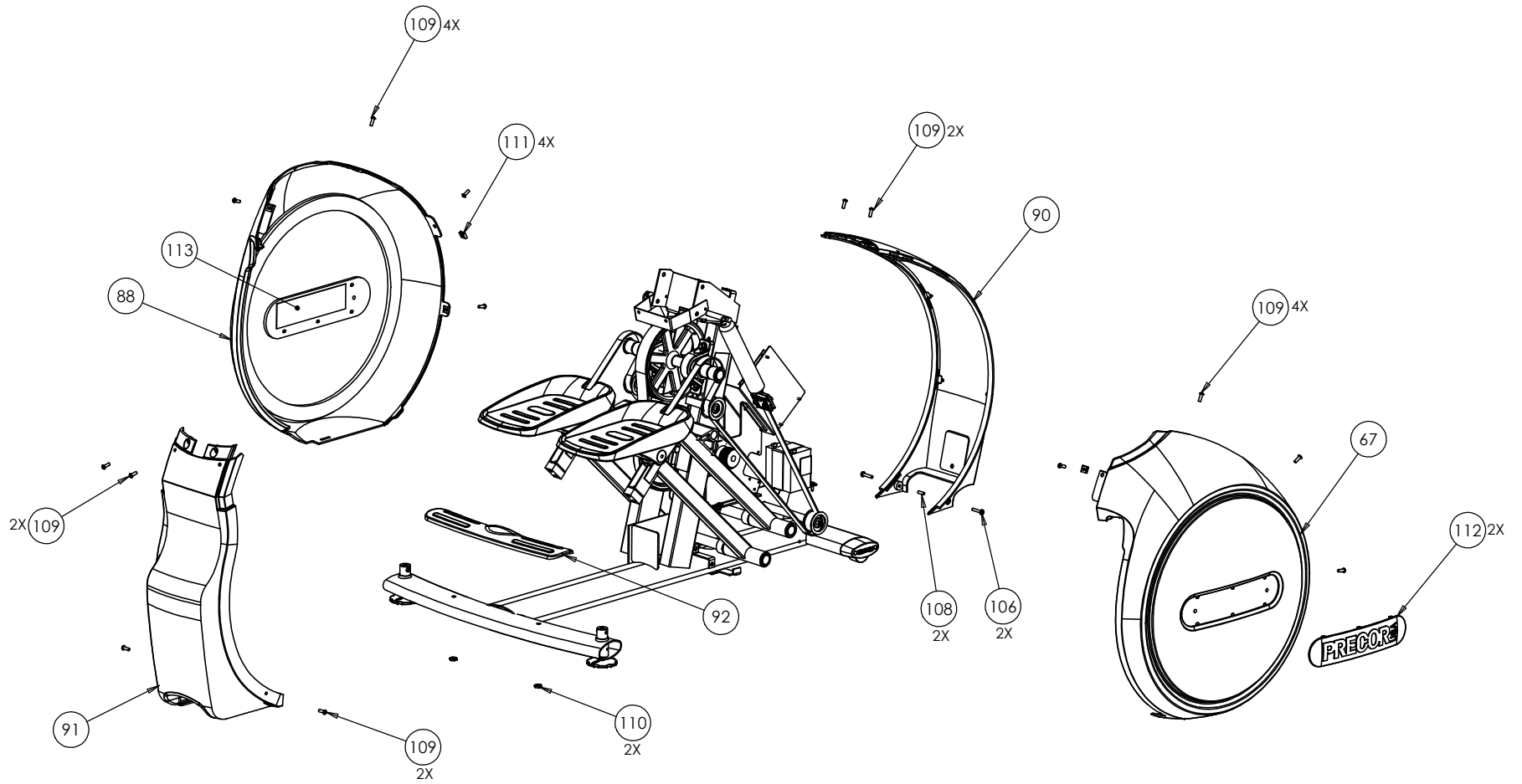












C776i (serial code A886, AADT, AB35)

Part Number	Description	Bubble Number
48434-403	PCA,DISPLAY,CL	4
44905-042	ASSY,CBL,MOD,8P8C,1-1,SILVER,42"	7
WNZN026-006	WASHER,FLT,1/4X.625X.063,BLK CVS	8
49046-101	ASSY, LOWER PCA & SW, SP CLIMBER, D	9
49076-101	ASSY, HANDRAIL, LEFT, C776I,PT,TITA	21
49076-102	ASSY, HANDRAIL, RIGHT, C776I,PT,TIT	22
48410-400	CPU, PGMD, CLIMBER SELF POWER, LOWE	27
10115-113	O-RING, ROUND, 1.25ID X .139	28
48378-101	GROMMET, DISPLAY TUBE	29
48377-102	COVER, TOP, C776I, PACIFIC BLUE	30
49401-102	BOARD, CHR & WIRELESS, SALUTRON	32
WALCN025-006	WASHER, SPLIT LOCK, 1/4 MED,	33
42713-102	HHHR SENSOR, TOP	34
49364-101	ASSY, WATER BOTTLE HOLDER	35
42714-102	HHHR SENSOR, BOTTOM	37
BACN031-075	BOLT, CARRIAGE, 5/16-18X3/4,GR 5,ZN	38
42730-101	PLUG, HHR, HANDLE BAR END	39
48364-101	WELDMENT, HANDLEBAR, VERTICAL, C776I, P	40
33970-101	SPRING, EXT. 8IN X 1.63 OD, C760	41
48551-102	CLAMP, BELT C776I, BOTTOM	42
48421-032	ASSY, CABLE, HHR GRIP, W/SHIELD, 32	43
TCNN016-075	SCREW, BTHD, 8-32X.75, SS	44
CAMN025-100	SCREW, SKHD, 1/4-20X1, ZN (MECH PLATIN	45
KACN025-013	LOCKNUT, HALF, 1/4-20, ZN	46
10737-105	BELT, DRIVE, STAIRARM C776I, 1584 M	47
31514-101	COLLAR, SHORT SPACER	48
49768-101	1 X 1.75 X 0.75 CLIMBER SUPPORT BUM	49
48485-102	ASSY, STAIR ARM, C776I	50
EATE025-050	SCREW, SET, 1/4-20X1/2", BLK SHARPERIZ	51
CCNN025-075	SCREW, SKHD, 1/4-20X3/4, SS, LK	52
48486-101	RIVET, PLASTIC, CHRISTMAS TREE	53
PANCN019-050	SCREW, S/T, #10-32X1/2, PANHD, PHIL, TRI	54
48366-101	SHAFT, STAIRARM PEDAL, LONG	55
48367-101	SHAFT, STAIRARM PEDAL, SHORT	56
48341-101	PEDAL, DIE CAST ALUMINUM, PAINT	57
44779-101	ASSEMBLY, HTD PULLEY	58
WAPNN100-003	WASHER, THRUST, 1.562 OD X .030	59
WAHNN105-002	WASHER, WAVE, 1.351 OD X 1.051	60
49717-016	ASSY, CABLE, HHR TO DISPLAY, 16"	62
57022-101	ASSY, DISPLAY MOUNT, C776I (DISPLAY	63
PKCN019-075	SCREW, S/T, #10X.75, WSHHXHD, ZN	65
49332-101	BUMPER, STAIR ARM STOP, UPPER, WIDE	66
48475-108	ASSY, SIDE COVER, RIGHT, C776I, PAC	67
48380-102	CAP, ELLIPTICAL TUBE, CLIMBER, SILVE	69
48381-102	HANDLEBAR TRANSITION COVER, CLIMBER	70
KGCN038-033	LOCKNUT, STARWASHER, 3/8-16	71
45974-101	ASSY, STEP-UP, 17:1 DRIVE, EFX	72
10217-130	BELT, DRIVE, POLY V (DAYCO 27-0628)	73

44905-014	ASSY,CBL,MOD,8P8C,1-1,SILVER,14"	74
11415-102	COUPLER,MOD,8P8C,INLINE,SNAP-IN	75
39916-103	FOOT, ADJUSTING,NO LOGO	76
12258-040	BATTERY,SLA,12V,4AH,.187 TABS	77
39744-102	WHEEL, TRANSPORT, MOLDED	78
48348-101	BRACKET,GENERATOR MOUNT,LEFT	78
45437-105	BRACKET,BATTERY,SELF POWERED BIKE	80
10217-142	BELT, DRIVE, 365J 16 POLY V	81
48368-101	PULLEY,IDLER,FLANGED, 2"	82
49221-101	BRACKET,BOARD, SP, VERT MOUNT CLIMB	83
58065-101	KIT, BOXED, ASSEMBLY,SP,GENERATOR,A	84
57024-101	GENERATOR KIT, C776I	84.01
10762-109	VELCRO,BLACK,LOOP 1000,W/ADHESIVE 7	85
10762-110	VELCRO,BLACK,HOOK 88,W/ADHESIVE 72,	86
48475-107	ASSY, SIDE COVER, LEFT, C776I, PACI	88
WRCN038-011	WASHER,GRADE 8,3/8,13/32 ID,13/16OD	89
48375-102	COVER, FRONT, C776I, PACIFIC BLUE	90
48376-103	COVER, BACK, C776I, PACIFIC BLUE	91
48379-102	COVER, TRANSITION, CLIMBER, PACIFIC	92
45334-015	ASSY,CBL,18AWG,FLAG QC CONN,15"	93
48551-101	CLAMP, BELT C776I, TOP	94
AAHN100-004	RING,RETAINER,EXTERNAL,1	95
WCCN031-008	WASHER, FLT, 5/16X.875X.083	96
CAMN031-175	SCREW,SKHD,5/16-18X0.75,ZN (MECH PL	97
CAMN025-075	SCREW, SKHD, 1/4 X 0.75, ZN,(MECH P	98
PGTN016-050	SCREW,S/T,#8X1/2,TRS,PHIL,BLK SHARP	99
CATN019-125	SCREW, SKHD,10-24 X 1.25,BLK SHARPE	102
48373-102	ASSEMBLY, DRIVE, INPUT SHAFT	103
PMTN016-075	SCREW,TCS,#8X3/4,PHIL,BLK SHARPERIZ	104
11278-101	CABLE CLAMP,INSERT	105
PANTN025-125	SCREW, SELF TAPPING, 1/4-20 X 1.25,	106
WACBN100-006	WASHER, 1.50 OD X 1.00 ID X	107
10196-120	SPACER, NYLON, .50 OD, .26 ID, .75	108
TFTN025-075	SCREW,BTHD,1/4-20X3/4,BLK SHARPERIZ	109
12647-101	PALNUT, SELF THREADING NUT, REG. TY	110
10136-102	CLIP,U TYPE, TINNERMAN, 1/4-20	111
48465-101	LABEL, WIRING DIAGRAM ,C776I	113
48712-102	BOOK SUPPORT, DISPLAY-C, MAKROBLEND	117
47545-101	LABEL, CAUTION PINCH POINTS	118
WBCN031-007	WASHER,FLT,5/16X.688X.065, ZN	119
TFTN025-075	SCREW,BTHD,1/4-20X3/4,BLK SHARPERIZ	120
MGCN016-100	MACHINE SCREW, 8-32 X 1, PAN HEAD	121
KMCN031-023	NUT, HEX, 5/16-18, ZINC	123
49042-102	DISPLAY MOUNT COVER, CLIMBER,SILVER	124
48708-103	REAR COVER, DISPLAY-C, W/O HANDLEBA	126
48386-101	CLAMP, HANDLEBAR MOUNT,C776I,PT	127
47341-012	ASSY, CABLE, HHR PCA, W/SHIELD, 12	129
49106-101	LABEL, BELT ROUTING LEFT, CLIMBER	131
49106-102	LABEL, BELT ROUTING RIGHT, CLIMBER	132
WBCN025-006	WASHER,FLT,1/4X.500X.063,ZN (MECH	133
CATN025-175	SCREW,SKHD,1/4-20X1.75,BLK SHARPERI	135

KGCN025-020	LOCKNUT,STARWASHER,1/4-20,ZN	136
49784-102	WELDMENT, CLIMBER SUPPORT, PAINT	137
49290-101	SPACER, 776I, DRIVE INPUT	161
10123-102	CABLE TIE, 3-7/8 LONG,WHITE,NYL	162
59084-101	CLIMBER SHAFT COLLAR UPGRADE KIT	200
37385-101	BRACKET, TENSIONER	355
37855-103	TAB, LOCKING	356
HACN025-250	SCREW,1/4-20X2-1/2,HEX,GR 2,ZN	357
49744-102	SUPPORT, PLASTIC HR ADAPTER	380
49084-102	KIT,HARDWARE,C776I,DISPLAY-C	901
CATN019-125	SCREW, SKHD,10-24 X 1.25,BLK SHARPE	903
HCCN031-100	SCREW, HEX, GR 5, 5/16-18 X 1.0, ZN	905
TFMN025-050	SCREW, BUTTIONHEAD, 1/4-20 X 1/2, ZN	906
WBCN031-007	WASHER,FLT,5/16X.688X.065, ZN	907
MGCN016-075	SCREW,MCH,8-32X3/4,PANHD,PHIL,	908
49239-107	LITERATURE KIT, C776I, DISPLAY-C, E	999